

Spec Sheet

Genuine Comfort 42" Ultra Series Inverter PTHP

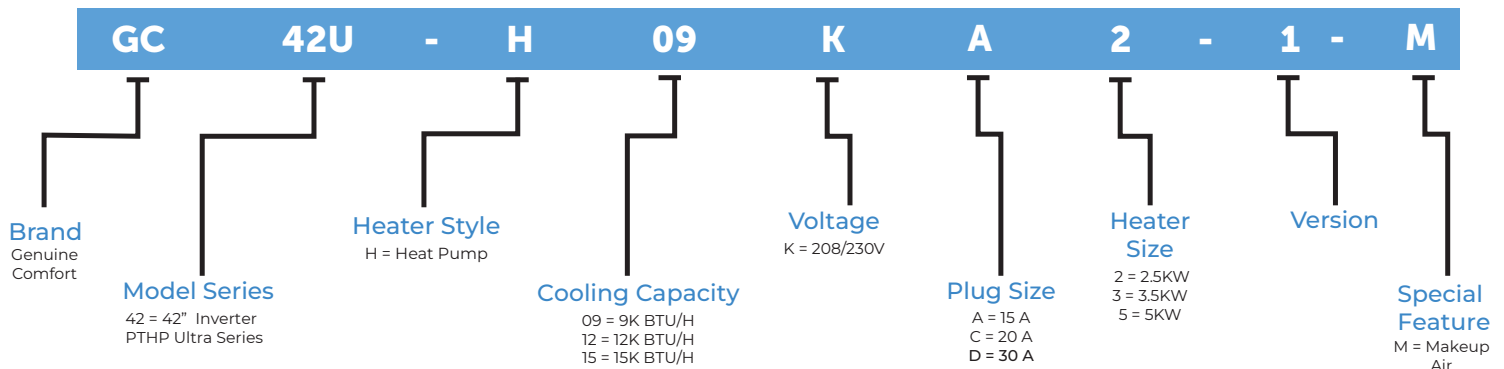
FEATURES

- Makeup Air module with humidification and motorized damper - Optional feature
- Digital Controls & 24 Volt Wall Thermostat Control Option
- Inverter Compressor for Increased Efficiency and Lower Noise
- Whisper Quiet indoor noise levels (As low as 26 dBA)
- Slide-Out Washable & Easy-Clean Filter
- Noise Reduction Partition - STC 30+
- Error Code Display for easy Diagnostic
- Low Ambient Heat Pump to -5°C
- Dual DC Motors for Quiet & Efficient Operation
- Compressor Time Delay Protection and Efficiency
- Automated Room Freeze Protection (0 °C/32 °F)
- Gold Fin indoor and outdoor coils (Corrosion Protection)
- R32 Refrigerant
- Genuine Care Warranty: 1 Year Unit Replacement (if parts and labour is not available), 6 Year Parts Replacement



MODEL IDENTIFICATION

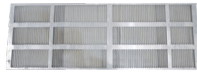
Example: **GC42U-H09K_A2-1-M**



ACCESSORIES



WALL SLEEVE



STAMPED GRILLE



ARCHITECTURA
L GRILLE



WIRELESS + WIRED
THERMOSTAT



OCCUPANCY SENSOR
THERMOSTAT



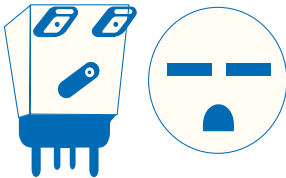
EMS THERMOSTAT



SUB-BASE

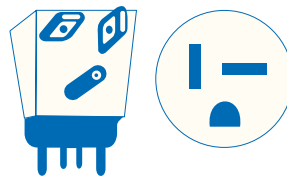
PLUG TYPE

TANDEM



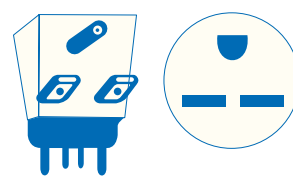
LCDI(NEMA 6-15P)
208V/230V 15A

PERPENDICULAR



LCDI(NEMA 6-20P)
208V/230V 20A

LARGE TANDEM



LCDI(NEMA 6-30P)
208V/230V 30A

SPECIFICATIONS

Model ID			GC42U-H09K_ _-1	GC42U-H12K_ _-1	GC42U-H15K_ _-1
Power Supply	Voltage (1 Ph., 60Hz)	V	208/230V	208/230V	208/230V
	Nominal Capacity	(BTU/H)	9,000	12,000	15,000
	Variable Capacity	(BTU/H)	4,000 ~ 11,000	5,000 ~ 14,500	5,000 ~ 15,500
Cooling	Input	W	666	930	1300
		EER2	13.5	12.8	11.5
		SEER2	22	20.5	19
	Nominal Capacity	(BTU/H)	9,000	12,000	14,000
Heating	Variable Capacity	(BTU/H)	4,000 ~ 11,000	5,000 ~ 14,500	5,000 ~ 15,500
	Input	W	659	925	1110
		COP	4	3.8	3.7
	Indoor Air Flow(L/H)	CFM	229/279/335	229/279/335	300/354/404
Indoor Sound Level (L/H)	Fan Only	(dB(a))	26 / 36 / 41 / 42	27 / 36 / 41 / 44	34 / 42 / 46 / 49
	AC Mode	(dB(a))	31 / 40 / 44 / 46	31 / 38.5 / 43 / 46	31 / 42 / 46 / 49.5
Outdoor Sound Level AC Mode		(dB(a))	63.5	64	67
Unit Dimension(W x D x H)		Inches	42 x 21 x 16	42 x 21 x 16	42 x 21 x 16
Package Dimension(W x D x H)		Inches	44-1/8 x 24-3/8 x 19-1/4	44-1/8 x 24-3/8 x 19-1/4	44-1/8 x 24-3/8 x 19-1/4
Net/Gross Weight		lbs.	93.48/102.07	98.77/107.36	98.77/107.36
Refrigerant Type			R32	R32	R32
Operation Temperature (Indoor)		°C(Cooling)	16~32	16~32	16~32
		°F(Cooling)	60 ~ 90	60 ~ 90	60 ~ 90
		°C(Heating)	0 ~ 27	0 ~ 27	0 ~ 27
		°F(Heating)	32 ~ 80	32 ~ 80	32 ~ 80
Ambient Temperature (Outdoor)		°C(Cooling)	0~50	0~50	0~50
		°F(Cooling)	32 ~ 122	32 ~ 122	32 ~ 122
		°C(Heating)	-5~24	-5~24	-5~24
		°F(Heating)	23 ~ 75	23 ~ 75	23 ~ 75
STC Value (optional)		Rating	31	31	31
Dehumidification		Pints/Hour	1.61	3.51	4.29

SPECIFICATIONS (CONTINUE)

Model ID		GC42U-H09K_-1-M	GC42U-H12K_-1-M	GC42U-H15K_-1-M
Power Supply	Voltage (1 Ph., 60Hz)	V	208/230V	208/230V
	Nominal Capacity	(BTU/H)	9000	12,000
	Variable Capacity	(BTU/H)	4,000 ~ 11,000	5,000 ~ 14,500
Cooling	Input	W	666	930
		EER2	13.5	12.8
		SEER2	22	20.5
	Nominal Capacity	(BTU/H)	9,000	12,000
	Variable Capacity	(BTU/H)	4,000 ~ 11,000	5,000 ~ 14,500
Heating	Input	W	659	925
		COP	4	3.8
Indoor Air Flow(L/H)		CFM	229/279/335	229/279/335
Makeup Air airflow range (optional)		CFM	0 - 60	0 - 60
Indoor Sound Level (L/H)	Fan Only	(dB(a))	26 / 36 / 41 / 42	27 / 36 / 41 / 44
	AC Mode	(dB(a))	31 / 40 / 44 / 46	31 / 38.5 / 43 / 46
Outdoor Sound Level AC Mode		(dB(a))	63.5	64
Unit Dimension(W x D x H)		Inches	42 x 21 x 16	42 x 21 x 16
Package Dimension(W x D x H)		Inches	44-1/8 x 24-3/8 x 19-1/4	44-1/8 x 24-3/8 x 19-1/4
Net/Gross Weight		lbs.	93.48/102.07	98.77/107.36
Refrigerant Type			R32	R32
Operation Temperature (Indoor)		°C(Cooling)	16~32	16~32
		°F(Cooling)	60 ~ 90	60 ~ 90
		°C(Heating)	0 ~ 27	0 ~ 27
		°F(Heating)	32 ~ 80	32 ~ 80
		°C(Cooling)	0~50	0~50
Ambient Temperature (Outdoor)		°F(Cooling)	32 ~ 122	32 ~ 122
		°C(Heating)	-5~24	-5~24
		°F(Heating)	23 ~ 75	23 ~ 75
STC Value (optional)	Rating		31 (without makeup air)	31 (without makeup air)
Dehumidification	Pints/Hour		1.61	3.51

SPECIFICATIONS (ELECTRIC HEATER SIZE)

Model ID			A2	C3	D5
Electric heating	Electric Heater Size	KW	2.5	3.5	5
	Capacity (208/230V)	Btu/h	6300 / 7800	8,900 / 10,900	12,200 / 15,000
	Power input (208/230V)	Watts	2,150 / 2,580	2,990 / 3,550	4,160 / 5,000
	Rated current (208/230V)	A	10.3 / 11.3	14.0 / 15.5	20.5 / 22.1
Power Cord Type			LCDI-15A	LCDI-20A	LCDI-30A
Power Cord Length	Ft.		6	6	6
Max. Consumption	Watts		2715	3730	5263
Max. Current	Amps		11.9	16.3	23.1
Compatible Capacity			9k	9k / 12K / 15K	12K / 15K

Manufacturer reserves the right to change specifications. Our products are subject to continuous improvements. Genuine Comfort reserves the right to modify product design and specifications, discontinue design without notice and without incurring any obligations. Warranty limited to Canada and USA. See warranty documentation for full details.