

Spec Sheet

Genuine Comfort 42" Elite Series High Efficiency PTHP

Unit Size: 42"W x 16"H Wall Sleeve

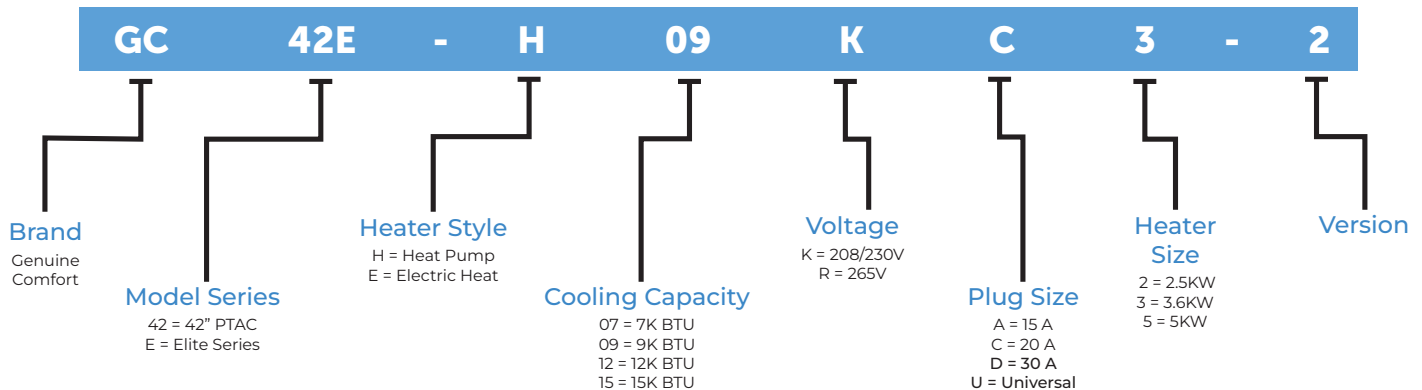
FEATURES

- Digital Controls
- Slide-Out Washable & Easy-Clean Filter
- Two Indoor Fan Speeds
- Error Code Display for easy Diagnostic
- Hand Held Remote Control (Not Included)
- Dual Motors for Quiet & Efficient Operation
- 24 Volt Wall Thermostat Control Option
- Compressor Time Delay Protection and Efficiency
- Automated Room Freeze Protection (10C/50F)
- R32 Refrigerant
- Genuine Care Warranty: 1 Year Unit Replacement (if parts and labour is not available), 6 Year Parts Replacement



MODEL IDENTIFICATION

Example: GC42E-H09KC3-2



ACCESSORIES



HAND HELD
REMOTE CONTROLLER



WALL SLEEVE



STAMPED GRILLE



ARCHITECTURAL
GRILLE



WIRELESS + WIRED
THERMOSTAT



OCCUPANCY
SENSOR THERMOSTAT



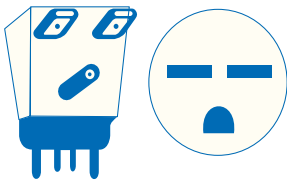
EMS THERMOSTAT



SUB-BASE

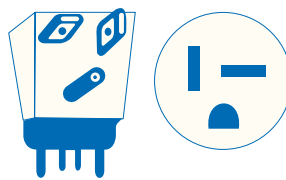
PLUG TYPE

TANDEM



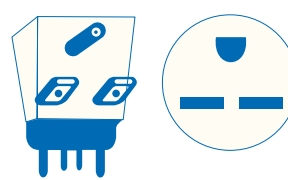
208V/230V 15A

PERPENDICULAR



208V/230V 20A

LARGE TANDEM



208V/230V 30A

SPECIFICATIONS

Model ID			GC42E-H07K_ _	GC42E-H09K_ _
Power Supply	Voltage (1 Ph., 60Hz)	V	208/230V	208/230V
	Capacity	Btu/h	7100/7200	9300/9400
Cooling	Input	W	510/515	730/745
		EER	13.9/13.9	12.7/12.6
	Capacity	Btu/h	5900/6000	7800/7900
Heating	Input	W	420/435	615/640
		COP	4.1/4.0	3.7/3.6
Indoor Air Flow (L/M/H)		CFM	280/350	305/390
Outdoor Fresh Air		CFM	45	45
Indoor Sound Level	Fan Only (L/M/H)	dB(a)	40/45	42/48
	AC Mode	dB(a)	47/49	49/51
Outdoor Sound Level	AC Mode	dB(a)	63	66
Unit Dimensions (W x D x H)		inch	42*21*16	42*21*16
Package Dimension (W x D x H)		inch	45*25*19	45*25*19
Net/Gross Weight		lbs.	99.6 / 110.5	101.2 / 112.0
Refrigerant Type			R32	R32
Operation Temperature (Indoor)		°C	16 - 32	16 - 32
		°F	61 - 90	61 - 90
Ambient Temperature (Outdoor)		°C (Cooling)	12~48	12~48
		°F (Cooling)	53.6~118	53.6~118
		°C (Heating)	2~24	2~24
		°F (Heating)	35~75.2	35~75.2

SPECIFICATIONS (CONTINUED)

Model ID			GC42E-H12K_ _	GC42E-H15K_ _
Power Supply	Voltage (1 Ph., 60Hz)	V	208/230V	208/230V
	Capacity	Btu/h	12200/12400	14600/14800
Cooling	Input	W	1015/1135	1345/1385
		EER	12.0/12.0	10.9/10.8
	Capacity	Btu/h	10200/10400	13200/13500
Heating	Input	W	840/860	1140/1195
		COP	3.5/3.5	3.4/3.3
Indoor Air Flow (L/M/H)		CFM	335/410	395/430
Outdoor Fresh Air		CFM	55	55
Indoor Sound Level	Fan Only (L/M/H)	dB(a)	45/51	48/52
	AC Mode	dB(a)	52/54	52/55
Outdoor Sound Level	AC Mode	dB(a)	67	67
Unit Dimensions (W x D x H)		inch	42*21*16	42*21*16
Package Dimension (W x D x H)		inch	45*25*19	45*25*19
Net/Gross Weight		lbs.	112.2 / 123.0	113.3 / 124.1
Refrigerant Type			R32	R32
Operation Temperature (Indoor)		°C	16 - 32	16 - 32
		°F	61 - 90	61 - 90
Ambient Temperature (Outdoor)		°C (Cooling)	12~46.1	12~46.1
		°F (Cooling)	53.6~115	53.6~115
		°C (Heating)	2~24	2~24
		°F (Heating)	35~75.2	35~75.2

SPECIFICATIONS (ELECTRIC HEATER SIZE)

Model ID			A2	C3	D5
Electric Heating	Electric Heater Size	KW	2.5KW	3.6KW	5.0KW
	Capacity (230/208V)	Btu/h	8500/6900	12000/10000	17000/13900
	Power input (230/208V)	W	2540/2080	3640/2980	5050/4135
	Rated current (230/208V)	A	11.1/10.0	15.9/14.3	21.9/19.8
Power Cord Type			LCDI-15A	LCDI-20A	LCDI-30A
Power Cord Length		Ft.	6.89	6.89	7
Max. Consumption		W	2565	3665	5065
Max. Current		A	11.3	16.1	22.1
Compatible Capacity			7/9/12/15K		12/15K

Manufacturer reserves the right to change specifications. Our products are subject to continuous improvements. Genuine Comfort reserves the right to modify product design and specifications, discontinue design without notice and without incurring any obligations. Warranty limited to Canada and USA. See warranty documentation for full details.