

Spec Sheet

Genuine Comfort Vertical Terminal Heat Pump

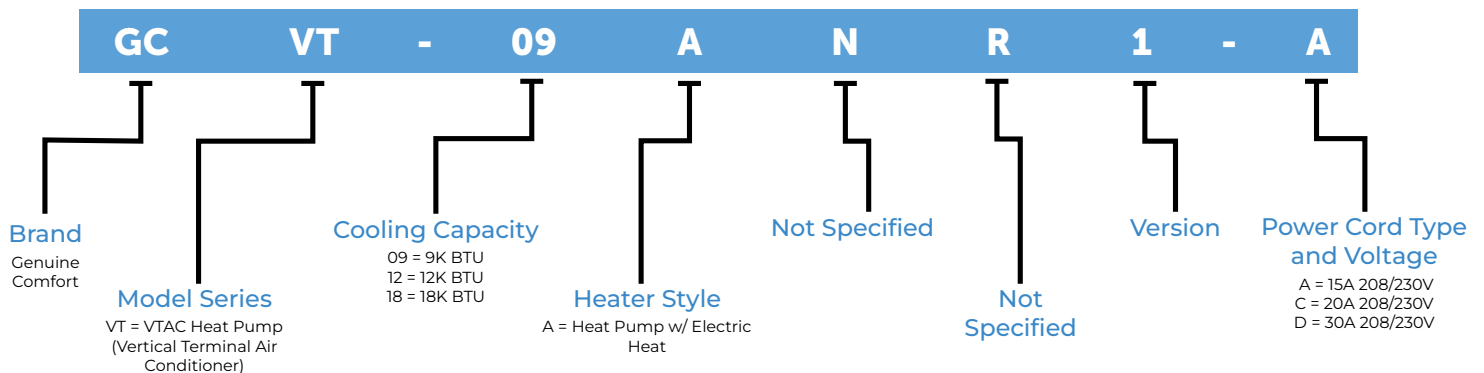
FEATURES

- "Ductable" to Multiple Rooms
- Two Indoor Fan Speeds
- Easily Reachable Disconnect Switch
- Error Code Display For Easy Diagnostic
- Dual Motors for Quiet & Efficient Operation
- 24 Volt Wall Thermostat Control Option
- Compressor Time Delay Protection and Efficiency
- R410a Refrigerant
- Automated Room Freeze Protection (10C/50F)
- Genuine Care Warranty: 1 Year Unit Replacement (if parts and labour is not available), 6 Year Parts Replacement



MODEL IDENTIFICATION

Example: **GCVT-09ANR1-A**



ACCESSORIES



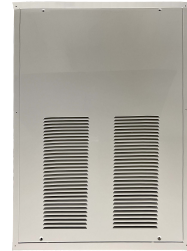
PLENUM
EXTENSION



BASE



ARCHITECTURAL
GRILLE



INT. FRONT
PANEL



WIRELESS + WIRED
THERMOSTAT



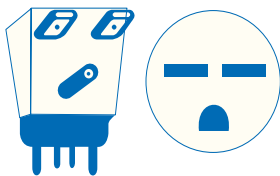
OCCUPANCY SENSOR
THERMOSTAT



EMS THERMOSTAT

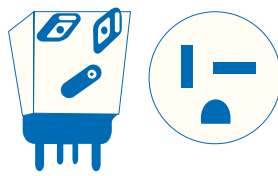
PLUG TYPE

TANDEM



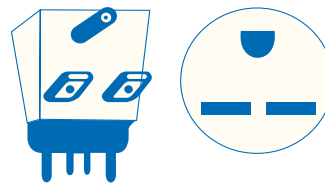
208V/230V 15A

PERPENDICULAR



208V/230V 20A

LARGE TANDEM



208V/230V 30A

SPECIFICATIONS (HEAT PUMP W/ ELECTRIC HEAT)

Model ID			GCVT-09ANR1-A	GCVT-09ANR1-C	GCVT-09ANR1-D
Power Supply	Voltage (1 Ph., 60Hz)	V	230/208V	230/208V	230/208V
	Capacity	Btu/h	9300/9100	9300/9100	9300/9100
Cooling	Input	W	770/750	770/750	770/750
		EER	12.1/12.1	12.1/12.1	12.1/12.1
	Capacity	Btu/h	8500/8300	8500/8300	8500/8300
Heating	Input	W	710/685	710/685	710/685
		COP	3.5/3.5	3.5/3.5	3.5/3.5
	Capacity	Btu/h	8500/6900	12200/10000	17000/13900
Electric Heater	Input	W	2550/2090	3650/2990	5050/4135
		A	11.1/10.0	15.9/14.3	21.9/19.8
Max Input Consumption		W	2550	3650	5050
Max Current		A	11.1	15.90	21.9
Indoor Air Flow (L/M/H)		CFM	259/353	259/353	259/353
Indoor Sound Level (L/M/H)		dB(a)	55/60	55/60	55/60
Outdoor Sound Level (L/M/H)		dB(a)	65	65	65
Unit Dimensions (W x H x D)		inch	23-1/8 x 31-1/4 x 23-1/8	23-1/8 x 31-1/4 x 23-1/8	23-1/8 x 31-1/4 x 23-1/8
Package Dimension (W x H x D)		inch	27-3/4 x 37-1/5 x 27-3/4	27-3/4 x 37-1/5 x 27-3/4	27-3/4 x 37-1/5 x 27-3/4
Net/Gross Weight		lbs.	168/185	168/185	168/185
Refrigerant Type			R410A	R410A	R410A
Operation Temperature (Indoor)		C	16 - 32	16 - 32	16 - 32
		F	61 - 90	61 - 90	61 - 90
Ambient Temperature (Outdoor)		C (Cooling)	12 - 48	12-48	12-48
		F (Cooling)	53.6 - 118	53.6-118	53.6-118
		C (Heating)	5 - 27	5 - 27	5 - 27
		F (Heating)	41 - 80.6	41 - 80.6	41 - 80.6
Cord Type			LCDI-15A	LCDI-20A	LCDI-30A
Cord Length		Ft	6.5	6.5	6.5

SPECIFICATIONS (HEAT PUMP W/ ELECTRIC HEAT) (CONTINUED)

Model ID			GCVT-12ANR1-A	GCVT-12ANR1-C	GCVT-12ANR1-D
Power Supply	Voltage (1 Ph., 60Hz)	V	230/208V	230/208V	230/208V
	Capacity	Btu/h	11500/11500	11500/11500	9300/9100
Cooling	Input	W	990/990	990/990	990/990
		EER	11.6/11.6	11.6/11.6	11.6/11.6
Heating	Capacity	Btu/h	10500/10300	10500/10300	10500/10300
	Input	W	880/860	880/860	880/860
		COP	3.5/3.5	3.5/3.5	3.5/3.5
Electric Heater	Capacity	Btu/h	8500/6900	12200/10000	17000/13900
	Input	W	2550/2090	3650/2990	5050/4135
		A	11.1/10.0	15.9/14.3	21.9/19.8
Max Input Consumption		W	2550	3650	5050
Max Current		A	11.1	15.90	21.9
Indoor Air Flow (L/M/H)		CFM	350/430	350/430	350/430
Indoor Sound Level (L/M/H)		dB(a)	57/60	57/60	57/60
Outdoor Sound Level (L/M/H)		dB(a)	67	67	67
Unit Dimensions (W x H x D)		inch	23-1/8 x 31-1/4 x 23-1/8	23-1/8 x 31-1/4 x 23-1/8	23-1/8 x 31-1/4 x 23-1/8
Package Dimension (W x H x D)		inch	27-3/4 x 37-1/5 x 27-3/4	27-3/4 x 37-1/5 x 27-3/4	27-3/4 x 37-1/5 x 27-3/4
Net/Gross Weight		lbs.	174/192	174/192	174/192
Refrigerant Type			R410A	R410A	R410A
Operation Temperature (Indoor)		C	16 - 32	16 - 32	16 - 32
		F	61 - 90	61 - 90	61 - 90
Ambient Temperature (Outdoor)		C (Cooling)	12 - 48	12-48	12-48
		F (Cooling)	53.6 - 118	53.6-118	53.6-118
		C (Heating)	5 - 27	5 - 27	5 - 27
		F (Heating)	41 - 80.6	41 - 80.6	41 - 80.6
Cord Type			LCDI-15A	LCDI-20A	LCDI-30A
Cord Length		Ft	6.5	6.5	6.5

SPECIFICATIONS (HEAT PUMP W/ ELECTRIC HEAT) (CONTINUED)

Model ID			GCVT-18ANR1-C	GCVT-18ANR1-D
Power Supply	Voltage (1 Ph., 60Hz)	V	230/208V	230/208V
	Capacity	Btu/h	16200/16200	16200/16200
Cooling	Input	W	1475/1475	1475/1475
		EER	11.0/11.0	11.0/11.0
	Capacity	Btu/h	14500/14500	14500/14500
Heating	Input	W	1285/1285	1285/1285
		COP	3.3/3.3	3.3/3.3
	Capacity	Btu/h	12200/10000	17000/13900
Electric Heater	Input	W	3650/2990	5050/4135
		A	15.9/14.3	21.9/19.8
Max Input Consumption		W	3650	5050
Max Current		A	15.90	21.9
Indoor Air Flow (L/M/H)		CFM	353/436	353/436
Indoor Sound Level (L/M/H)		dB(a)	57/61	57/61
Outdoor Sound Level (L/M/H)		dB(a)	67	67
Unit Dimensions (W x H x D)		inch	23-1/8 x 31-1/4 x 23-1/8	23-1/8 x 31-1/4 x 23-1/8
Package Dimension (W x H x D)		inch	27-3/4 x 37-1/5 x 27-3/4	27-3/4 x 37-1/5 x 27-3/4
Net/Gross Weight		lbs.	184/202	184/202
Refrigerant Type			R410A	R410A
Operation Temperature (Indoor)		C	16 - 32	16 - 32
		F	61 - 90	61 - 90
		C (Cooling)	12 - 48	12-48
Ambient Temperature (Outdoor)		F (Cooling)	53.6 - 118	53.6-118
		C (Heating)	5 - 27	5 - 27
		F (Heating)	41 - 80.6	41 - 80.6
Cord Type			LCDI-20A	LCDI-30A
Cord Length		Ft	6.5	6.5

Manufacturer reserves the right to change specifications. Our products are subject to continuous improvements. Genuine Comfort reserves the right to modify product design and specifications, discontinue design without notice and without incurring any obligations.