

GENUINE COMFORT

DELIVERING COMFORT CONSISTENTLY

Packaged Terminal Air Conditioner | Spec Sheet | 26" W x 16" H x 21" D

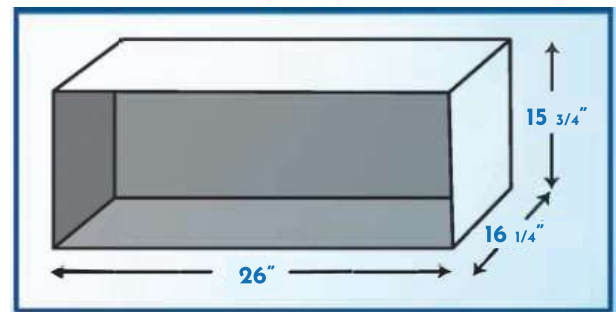
Features

- ETL (Intertek) Certified
- Energy Efficient: Meets DOE Standards
- Universal Wall-Sleeve Fit
- Universal Thermostat Compatibility
- EMS Compatible
- Touch Pad Controls For Ease of Use
- Easy Clean Filters
- R410A Refrigerant
- **Genuine Care Warranty:** 1 Year Unit Replacement (if parts and labour is not available), 6 Year Parts Replacement

Product Photo



Wall Sleeve Dimensions



Model Identification

GC	—	Genuine Comfort
TW	—	26" PTAC; Omit for 42" PTAC
HP	—	Heat Pump; Omit for Non-Heat Pump
09	—	BTU Capacity
E	—	Electric Heater; A for Heat Pump w/ Electric Heater
N	—	On/Off Type; V for Inverter Type
R1F	—	R1 = R410A F = F-Series
C	—	20A (3.6kW); B for 15A (1.2kW)
265	—	265V; Omit for 220V

Wall Receptacles



Accessories

- Wall Sleeve
- Stamped Grille
- Architectural Grille
- Wired Thermostat
- Occupancy Sensor Thermostat
- Wireless Thermostat
- Drain Kit

For More Information, Please Contact:
(204) 201-0717 // 1-(866) 233-4022
info@genuinecomfort.com
or visit www.genuinecomfort.com

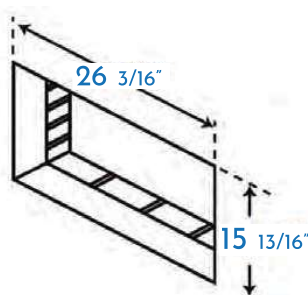
GENUINE COMFORT

DELIVERING COMFORT CONSISTENTLY

Packaged Terminal Air Conditioner | Spec Sheet | 26" W x 16" H x 21" D

SPECIFICATIONS								
Factory model			GCTWHP-09ANR1-C	GCTW-09ENR1-C	GCTWHP-12ABR1-C	GCTW-12ENR1-C	GCTWHP-09ANR1-A	GCTW-09ENR1-A
Power supply		V-Ph-Hz	208/230V/1Ph/60Hz	208/230V/1Ph/60Hz	208/230V/1Ph/60Hz	208/230V/1Ph/60Hz	115V/1Ph/60Hz	115V/1Ph/60Hz
Power supply type			LCDIpower cord	LCDIpower cord	LCDIpower cord	LCDIpower cord	LCDIpower cord	LCDIpower cord
Cooling	Capacity	Btu/h	9300/9100	9400/9300	11700/11500	11800/11600	9000	9000
	Input	W	940/910	940/910	1185/1145	1185/1145	920	920
	EER	Btu/h.W	9.9/10.0	10.0/10.2	10.0/10.1	10.0/10.1	9.8	9.8
Heating	Capacity	Btu/h	8800/8600	/	11400/11200	/	8500	/
	Input	W	830/810	/	1150/1090	/	805	/
	COP	Btu/h.W	3.1/3.1	/	3.0/3.0	/	3.1	/
Electric heater		KW	3.4	3.4	3.4	3.4	1.2	1.2
Plug type			20 amp	20 amp	20 amp	20 amp	15 amp	15 amp
Max. input consumption		W	3465	3465	3465	3465	1270	1178
Max. current		A	15.20	15.20	15.20	15.20	11.45	11.5
Compressor	Model		44A222A	44A222A	ASM113N1UDZ	ASM113N1UDZ	44A221A	44A221A
	Type		rotary	rotary	rotary	rotary	rotary	rotary
	Brand		RECHI	RECHI	GMCC	GMCC	RECHI	RECHI
	Capacity	Btu/h	8830	8830	3370	3370	2605	2605
	Input	W	860	860	1090	1090	885	885
	Rated current(RLA)	A	3.9	3.9	4.9	4.9	7.6	7.6
	Locked rotor Amp(LRA)	A	21	21	28.5	28.5	41.5	41.5
Capacitor	uF	30	30	40	40	60	60	
Indoor air flow (Hi/Mi/Lo)		m3/h	460	460	460	460	460	490
Indoor external static pressure (Hi)		Pa	0	0	0	0	0	0
Indoor sound level (sound pressure level)-Cooling		dB(A)	60/58/55	60/58/55	60/58/55	60/58/55	59/57/55	59/57/55
Outdoor sound level(sound pressure level)-Cooling		dB(A)	67/64	67/64	67/64	67/64	66.4/60.85	66.4/60.85
Unit	Dimension(W*H*D)	in	26" x 16" x 21"	26" x 16" x 21"	26" x 16" x 21"	26" x 16" x 21"	26" x 16" x 21"	26" x 16" x 21"
	Packing (W*H*D)	in	30" x 25" x 19"	30" x 25" x 19"	30" x 25" x 19"	30" x 25" x 19"	30" x 25" x 19"	30" x 25" x 19"
	Net/Gross weight	lbs	84 / 94	83 / 93	97 / 110	84 / 94	84 / 94	80 / 90
Charged refrigerant type		g	560	560	900	600	540	540
Throttle type			capillary	capillary	capillary	capillary	capillary	capillary
Design pressure		MPa	3.2	3.2	3.2	3.2	3.2	3.2
Connection wiring	Power wiring	mm2	2.081	2.081	2.081	2.081	2.081	2.081
	Signal wiring	mm2	0.2047	0.2047	0.2047	0.2047	0.2047	0.2047
Drainage pipe outside diameter		mm2	9.52mm	9.52mm	9.52mm	9.52mm	9.52mm	9.52mm
Controller			control board	control board	control board	control board	control board	control board
Operation temp		°C	16~32	16~32	16~32	16~32	16~32	16~32
Ambient temp		°C	≤46.1	≤46.1	≤46.1	≤46.1	≤46.1	16~46.1

WALL SLEEVE OPENING



Required wall opening is 26 3/16" by 15 13/16"

