

Genuine Comfort 26" Packaged Terminal Air Conditioners

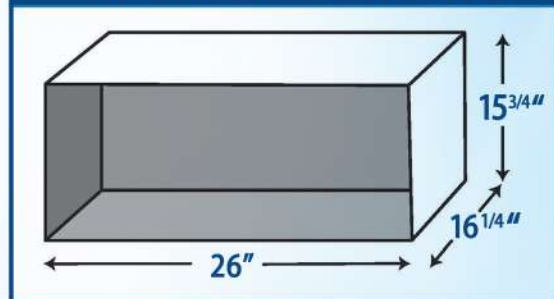
GENUINE COMFORT
DELIVERING COMFORT CONSISTENTLY



- 26" W x 16" H x 21" D
- ETL (Intertek) and AHRI Certified
- Energy Efficient: Meets DOE Requirements
- Touch Pad Controls for Easy Use
- Universal Thermostat Compatibility
- Universal Wall Sleeve Fit
- R410A Refrigerant
- Easy Clean Filters
- LCDI Power Cord Included for Power Surge Protection
- Genuine Care Warranty: 1 Year Parts and Labor / 6 Years Parts
- Local Parts Availability

FEATURES

WALL SLEEVE DIMENSIONS



WALL RECEPTACLES

Parallel



115 V
15 AMP

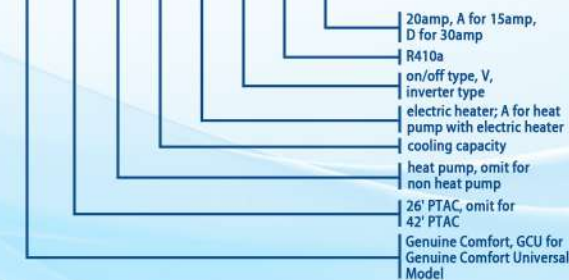
Perpendicular



208/230 V
20 AMP

MODEL IDENTIFICATION

GC TW HP 09 E N R1 C



Drain Kit



Occupancy Sensor Thermostat



Wall Sleeve



Wireless Thermostat



Wired Thermostat



Stamped Grille



Architectural Grille

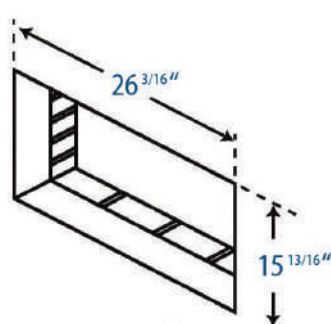
ACCESSORIES

For More Information Visit
www.genuinecomfort.com

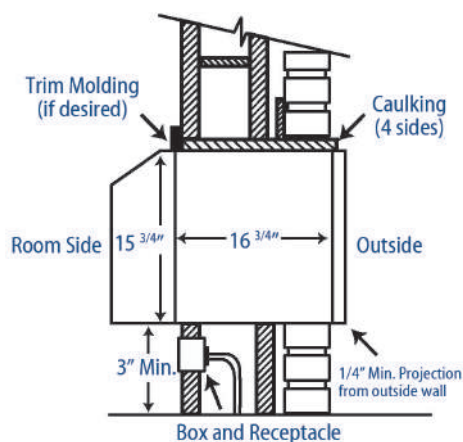
PRODUCT SPECIFICATION

Factory model		GCTWHP-09ANR1-C	GCTW-09ENR1-C	GCTWHP-12ANR1-C	GCTW-12ENR1-C	GCTWHP-09ANR1-A	GCTW-09ENR1-A	
Power supply	V-Ph-Hz	208/230V/1Ph/60Hz	208/230V/1Ph/60Hz	208/230V/1Ph/60Hz	208/230V/1Ph/60Hz	115V/1Ph/60Hz	115V/1Ph/60Hz	
Power supply type		LCDIpower cord	LCDIpower cord	LCDIpower cord	LCDIpower cord	LCDIpower cord	LCDIpower cord	
Cooling	Capacity	Btu/h	9300/9100	9400/9300	11700/11500	11800/11600	9000	9000
	Input	W	940/910	940/910	1185/1145	1185/1145	920	920
	EER	Btu/h.W	9.9/10.0	10.0/10.2	10.0/10.1	10.0/10.1	9.8	9.8
Heating	Capacity	Btu/h	8800/8600	/	11400/11200	/	8500	/
	Input	W	830/810	/	1150/1090	/	805	/
	COP	Btu/h.W	3.1/3.1	/	3.0/3.0	/	3.1	/
Electric heater	KW	230V/3.4	230V/3.4	230V/3.4	230V/3.4	115V/1.2	115V/1.2	
Plug type		20 amp	20 amp	20 amp	20 amp	15 amp	15 amp	
Max. input consumption	W	3465	3465	3465	3465	1270	1178	
Max. current	A	15.20	15.20	15.20	15.20	11.45	11.5	
Compressor	Model		44A222A	44A222A	ASM113N1UDZ	ASM113N1UDZ	44A221A	44A221A
	Type		rotary	rotary	rotary	rotary	rotary	rotary
	Brand		RECHI	RECHI	GMCC	GMCC	RECHI	RECHI
	Capacity	Btu/h	8830	8830	3370	3370	2605	2605
	Input	W	860	860	1090	1090	885	885
	Rated current(RLA)	A	3.9	3.9	4.9	4.9	7.6	7.6
	Locked rotor Amp(LRA)	A	21	21	28.5	28.5	41.5	41.5
	Capacitor	uF	30	30	40	40	60	60
Indoor air flow (Hi/Mi/Lo)	m3/h	460	460	460	460	460	490	
Indoor external static pressure (Hi)	Pa	0	0	0	0	0	0	
Indoor sound level (sound pressure level)-Cooling	dB(A)	60/58/55	60/58/55	60/58/55	60/58/55	59/57/55	59/57/55	
Outdoor sound level(sound pressure level)-Cooling	dB(A)	67/64	67/64	67/64	67/64	66.4/60.85	66.4/60.85	
Unit	Dimension(W*H*D)	in	26" x 16" x 21"	26" x 16" x 21"	26" x 16" x 21"	26" x 16" x 21"	26" x 16" x 21"	26" x 16" x 21"
	Packing (W*H*D)	in	30" x 25" x 19"	30" x 25" x 19"	30" x 25" x 19"	30" x 25" x 19"	30" x 25" x 19"	30" x 25" x 19"
	Net/Gross weight	Kg	38/42.5	37.5/42	50/44	38/42.5	38/42.5	36.5/41
Charged refrigerant type	g	560	560	900	600	540	540	
Throttle type		capillary	capillary	capillary	capillary	capillary	capillary	
Design pressure	MPa	3.2	3.2	3.2	3.2	3.2	3.2	
Connection wiring	Power wiring	mm2	2.081	2.081	2.081	2.081	2.081	2.081
	Signal wiring	mm2	0.2047	0.2047	0.2047	0.2047	0.2047	0.2047
Drainage pipe outside diameter	mm2	9.52mm	9.52mm	9.52mm	9.52mm	9.52mm	9.52mm	
Controller		control board	control board	control board	control board	control board	control board	
Operation temp	°C	16~32	16~32	16~32	16~32	16~32	16~32	
Ambient temp	°C	≤46.1	≤46.1	≤46.1	≤46.1	≤46.1	16~46.1	

WALL OPENING DIMENSION



Required wall opening is 26 ³/₁₆" by 15 ¹³/₁₆"



For More Information Visit
www.genuinecomfort.com

GENUINE COMFORT
 DELIVERING COMFORT CONSISTENTLY